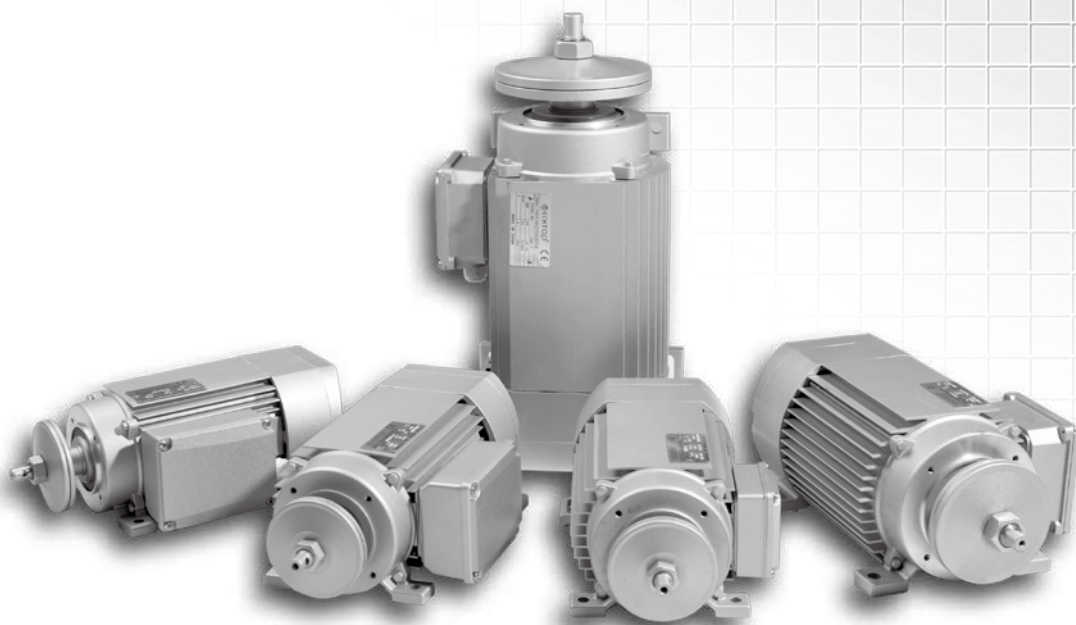


MSC/MYC Series

Three/Single-Phase Aluminum Housing Saw Motors



IEC MOTOR

FIRE PUMP MOTOR

GOST MOTOR

NEMA MOTOR

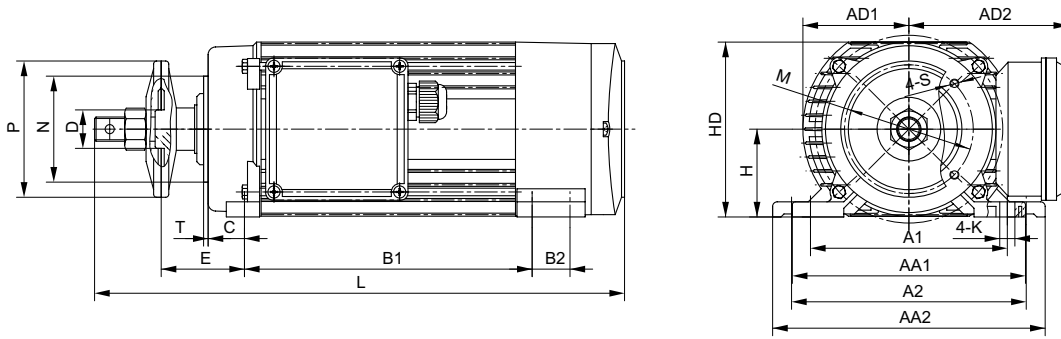
DC MOTOR

EC MOTOR

MSC/MYC Series Motors Technical Data

TYPE	Power (kW)	Phase	V	HZ	Amp.	Eff.	Cos ϕ	Rpm	T_s/T_n	T_m/T_n	I_s/I_n	Duty	Capacitor	Inertia $kg \cdot m^2$
MYC58A2	1.1	1	230	50	7.18	68	0.98	2770	0.35	1.7	5	S6-40%	25uF/450V	0.000697
MYC58B2	1.5	1	230	50	9.51	70	0.98	2790	0.35	1.7	5	S6-40%	30uF/450V	0.000900
MYC58C2	1.8	1	230	50	11.1	72	0.98	2790	0.32	1.7	5	S6-40%	30uF/450V	0.001031
MYC63B2	2.2	1	230	50	13.2	74	0.98	2800	0.32	1.7	5	S6-40%	40uF/450V	0.001220
MSC58A2	1.5	3	400	50	3.41	77.5	0.82	2750	3	3	6	S6-40%		0.000762
MSC58B2	2.2	3	400	50	4.76	78.5	0.85	2750	3	3	6	S6-40%		0.001031
MSC63A2	2.2	3	400	50	4.73	79	0.85	2800	2.4	2.2	6	S6-40%		0.001276
MSC63B2	3	3	400	50	6.37	80	0.85	2820	2.8	2.4	6.5	S6-40%		0.001679
MSC74A2	4	3	400	50	8.19	82	0.86	2850	3	3	7	S6-40%		0.003118
MSC81A2	5.5	3	400	50	10.5	85	0.89	2880	3	3	9	S1		0.005452
MSC81B2	7.5	3	400	50	14.1	86	0.89	2880	3	3	9	S1		0.007185
MSC93A2	5.5	3	400	50	10.1	87	0.9	2890	3	3	9	S1		0.004694
MSC93B2	7.5	3	400	50	13.6	87.5	0.91	2890	3	3	9	S1		0.005935

MSC/MYC Series Three/Single-Phase Aluminum Housing Saw Motors



MSC/MYC Series Motors Overall & Installation Dimensions

Model	H	D	P	N	M	S	A1	A2	B1	B2	C	E	T	K	AA1	AA2	HD	AD1	AD2	L
MYC58A2	58	25.4	90	70	85	M6	130	155	165	25	24	55	3	10	154	180	116	70	113	325
MYC58B2	58	25.4	90	70	85	M6	130	155	190	25	24	55	3	10	154	180	116	70	113	350
MYC58C2	58	25.4	90	70	85	M6	130	155	190	25	24	55	3	10	154	180	116	70	113	350
MYC63B2	63	25.4	90	80	100	M6	130	155	190	28	24	55	3	10	154	180	126	77	118	355
MSC58A2	58	25.4	90	70	85	M6	130	155	165	25	24	55	3	10	154	180	116	70	103	325
MSC58B2	58	25.4	90	70	85	M6	130	155	190	25	24	55	3	10	154	180	116	70	103	350
MSC63A2	63	25.4	90	80	100	M6	130	155	165	28	24	55	3	10	154	180	126	77	108	330
MSC63B2	63	25.4	90	80	100	M6	130	155	190	28	24	55	3	10	154	180	126	77	108	355
MSC74A2	74	30	110	95	115	M6	155	155	190	25	24	55	3	12	180	180	147	87	125	370
MSC81A2	81	40	158	110	130	M8	160	190	254	20	25	64	3.5	12	190	225	162	99	133	462
MSC81B2	81	40	158	110	130	M8	160	190	318	20	25	64	3.5	12	190	225	162	99	133	526
MSC93A2	93	40	158	110	130	M8	190	190	229	25	25	64	3.5	14	225	225	184	108	143	440
MSC93B2	93	40	158	110	130	M8	190	190	254	25	25	64	3.5	14	225	225	184	108	143	465

* Note: The size "L" With brake type is 30mm more